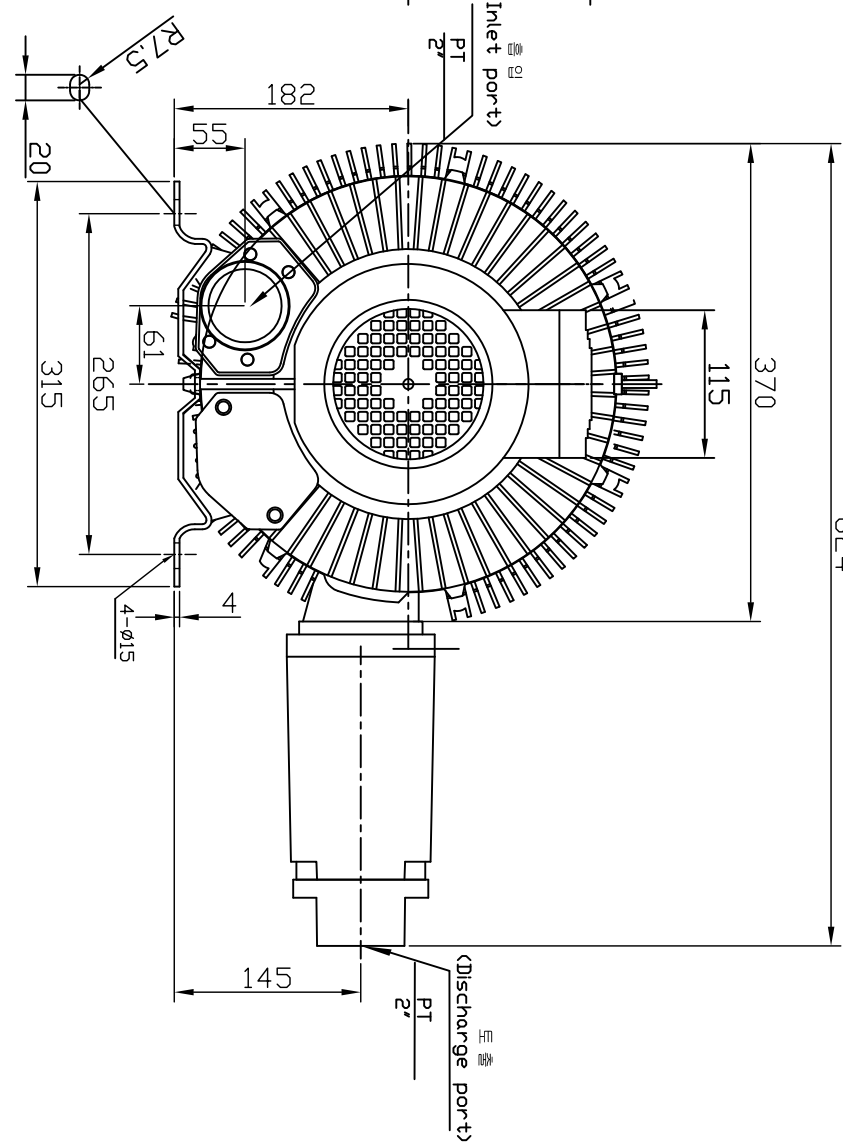
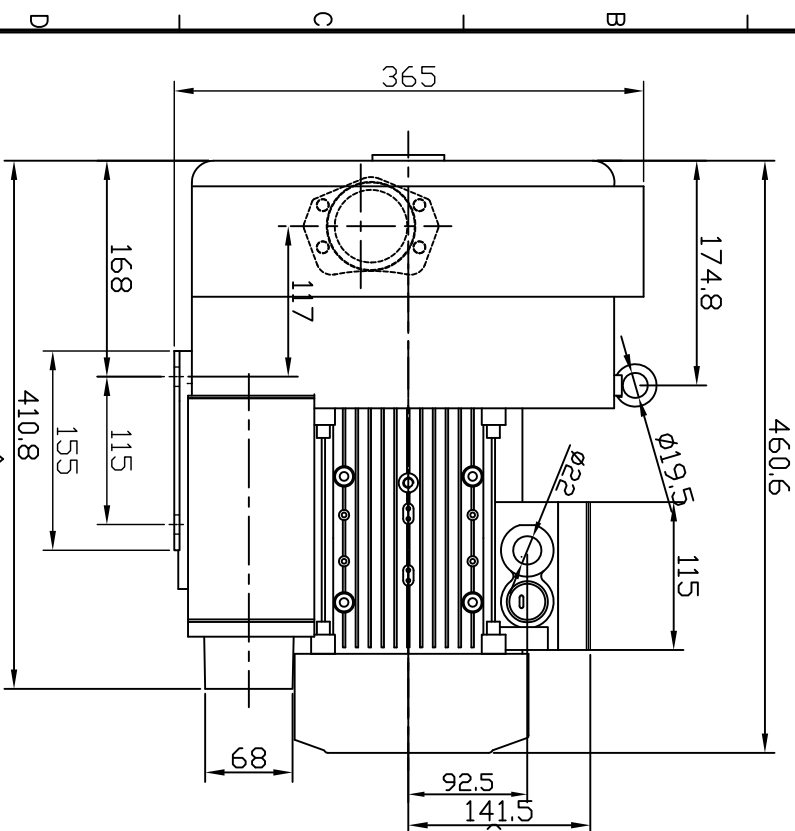
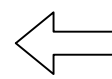
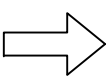


VIEW:B



VIEW:A



DATE	MARK	REMARK	DSGN	CHK	APRD	IH IN HA ELECTRIC	DWG. NAME OUTLINE DIMENSION	THIRD ANGLE PROJECTION	SCALE	N/S	DATE 2014.07
								REF. DWG. NO.	3φ4.6kw2P	DWG. NO.	07020003

TYPE
RING BLOWER(Reg. Blower)
IHB-702

DWG. NAME
OUTLINE DIMENSION

2 3 4 5