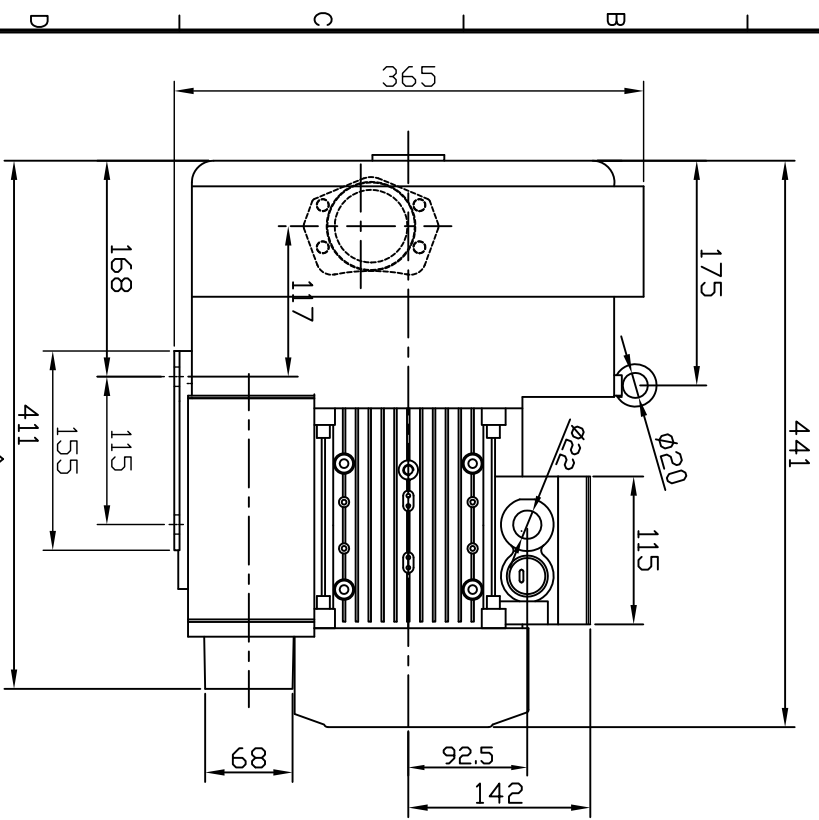
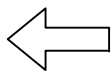
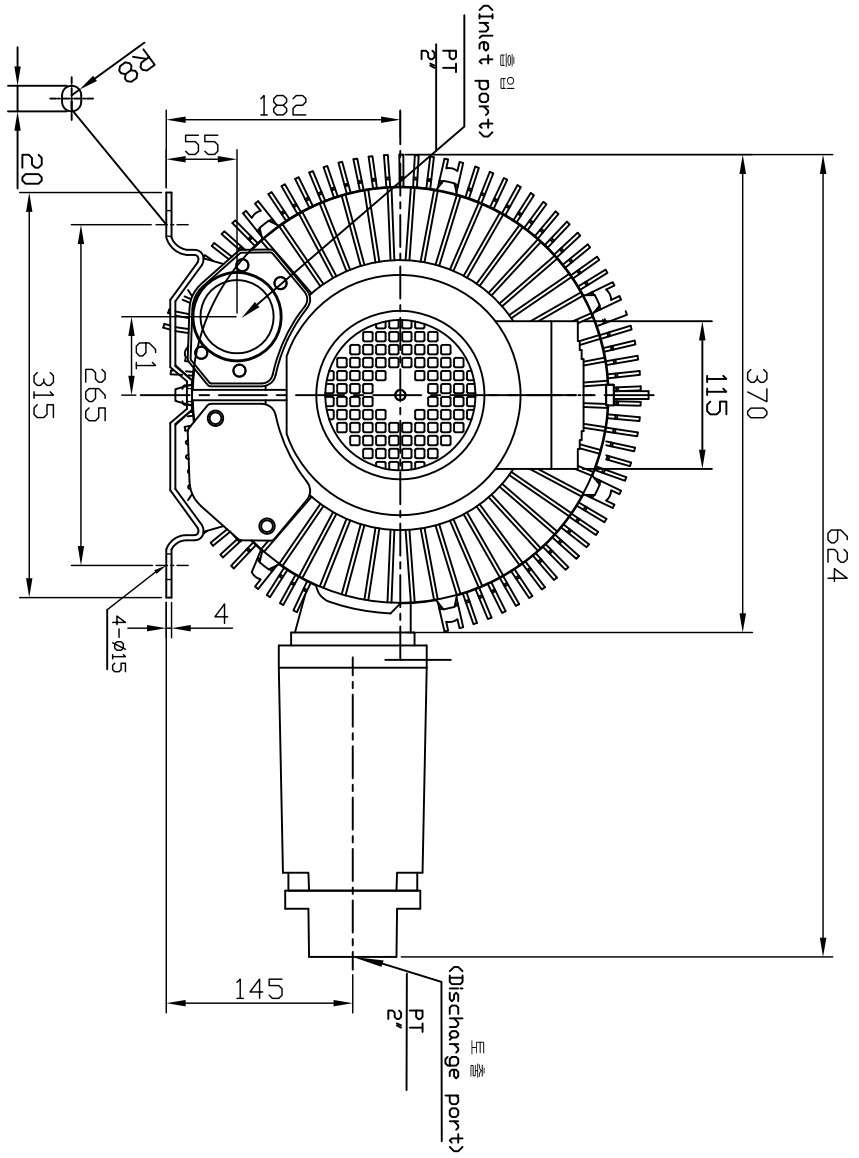
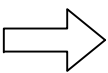


VIEW:B



VIEW:A



DATE		MARK		REMARK		DSGN	CHK	APRD	 IHB IN HA ELECTRIC	DWG. NAME	THIRD ANGLE PROJECTION	SCALE	N/S	DATE
										TYPE RING BLOWER(Reg. Blower) IHB-602	OUTLINE DIMENSION			
REF. DWG. NO.	3φ3.7kw2P				DWG. NO.	06020003								