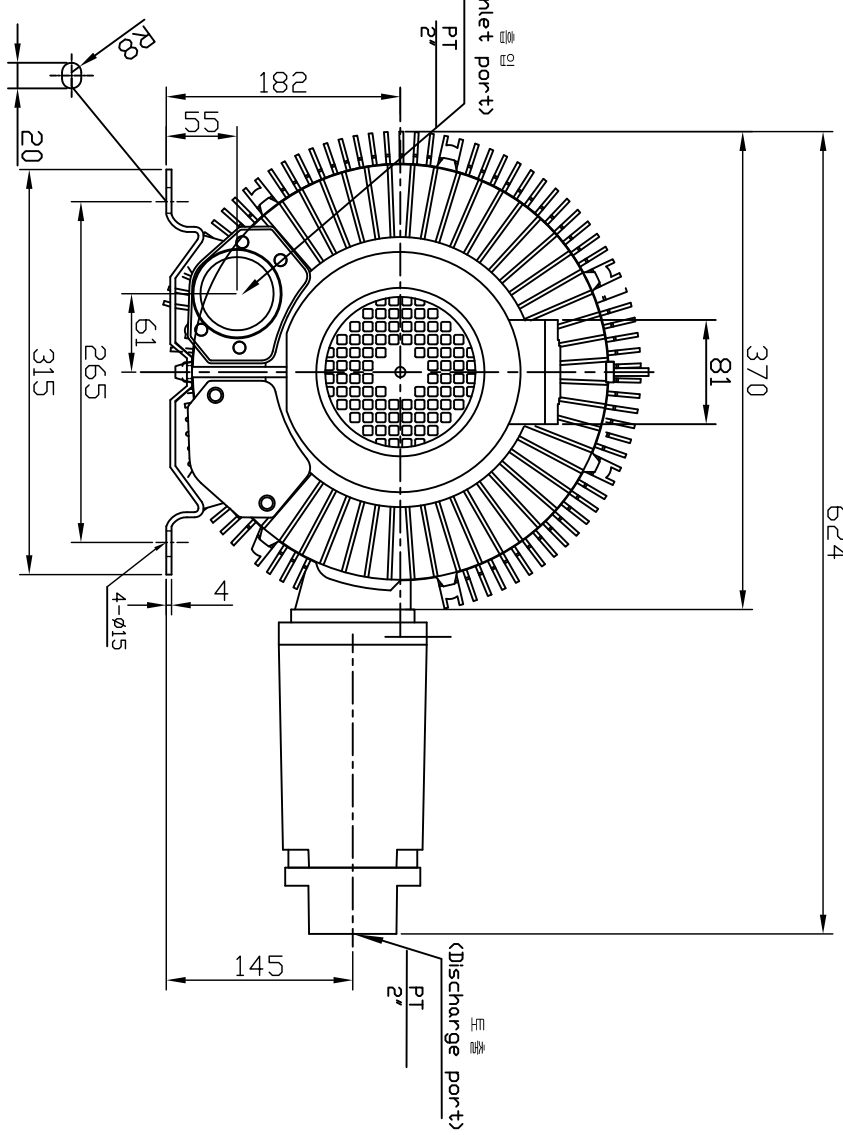
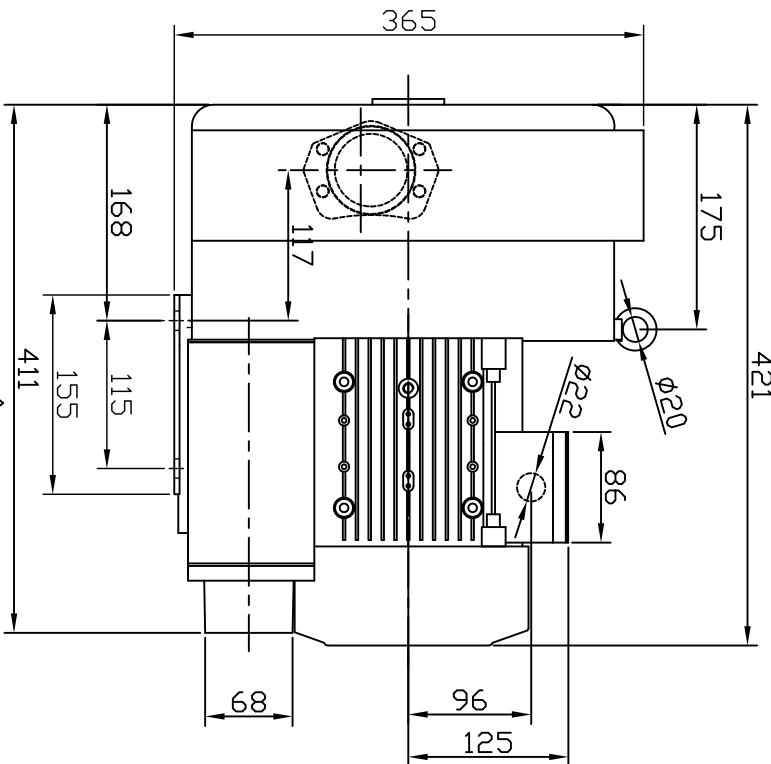
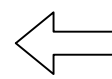
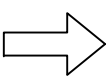



VIEW:B



VIEW:A



DATE		MARK		REMARK		DSGN	CHK	APRD	 <b>IN HA ELECTRIC</b>	TYPE RING BLOWER(Reg. Blower) <b>IHB-502</b>		DWG. NAME OUTLINE DIMENSION			
APPROVED	CHECK	DESIGN	DRAWN	REF. DWG. NO.	THIRD ANGLE PROJECTION	SCALE	N/S	DATE		2014.07	3φ2.55kw2P	050200003			