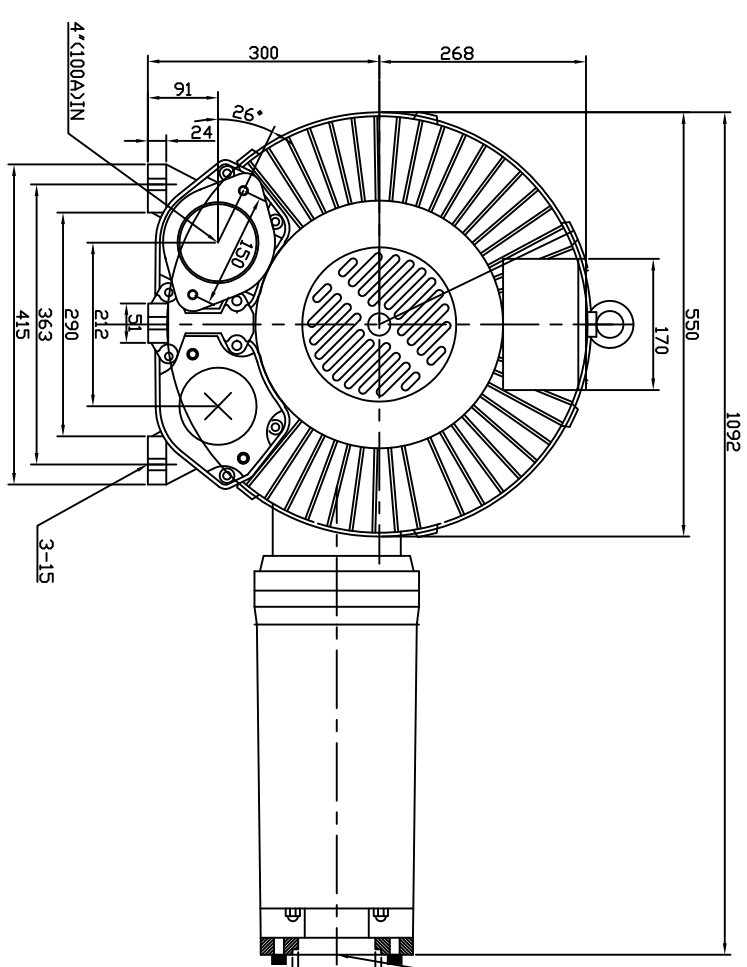
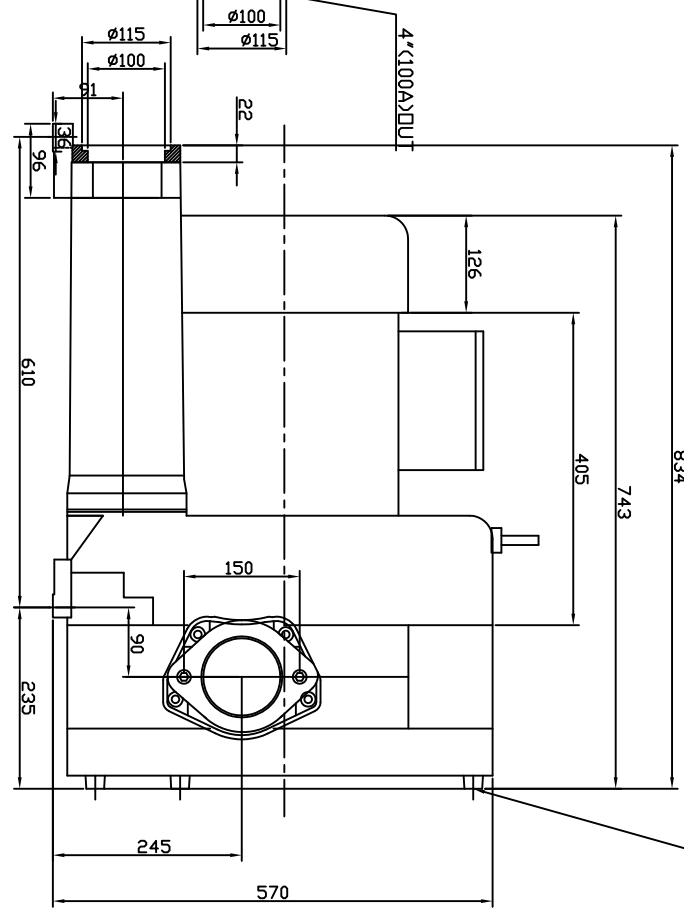


VIEW:B  
↑



VIEW:A  
↑



M12 PCD490

DATE	MARK	REMARK	DSGN	CHK	APRD	TYPE	RING BLOWER(Reg. Blower)				DWG. NAME				
						APPROVED	IHB-1302H				OUTLINE DIMENSION				
						CHECK	DESIGN	DRAWN			THIRD ANGLE PROJECTION	SCALE	N/S	DATE	14.07.12
											REF. DWG. NO.	3Ø15.3KW2P			
											DWG. NO.	1302H003			
						IN HA ELECTRIC									